

UHMW-PE DOCK BUMPER FRONT PLATES

UHMW-PE Dock bumper front plates are made from a high molecular weight polyurethane material which is very durable, highly visible and has a low coefficient of friction. It can be attached to help improve the endurance of the dock bumper. It protects loading dock bays from recurring impact damage caused by heavy trailers during loading and unloading.



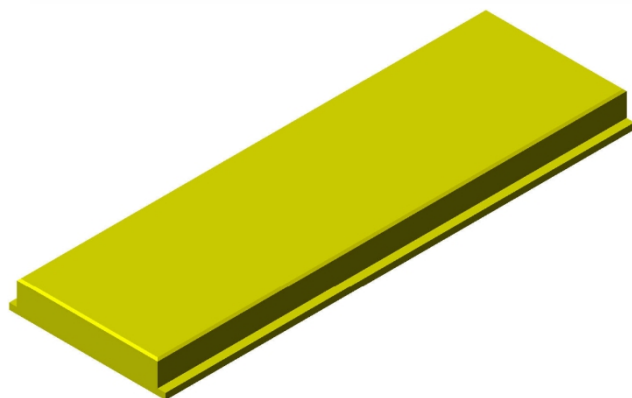
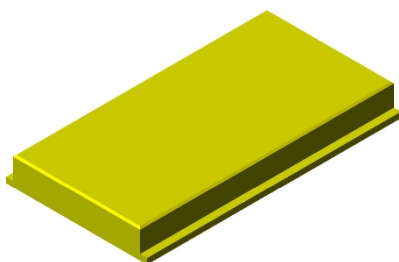
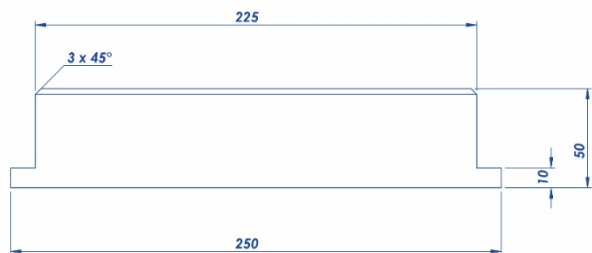
Features

- Highly visible color
- Durable design
- Much longer life than normal Rubber Dock Bumpers
- Reduced snagging for longer life



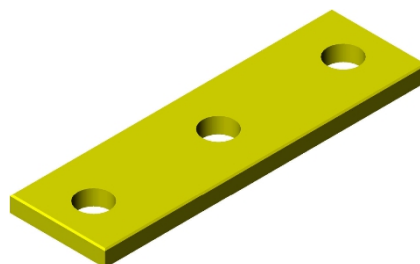
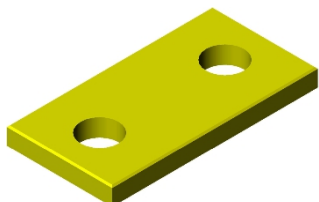
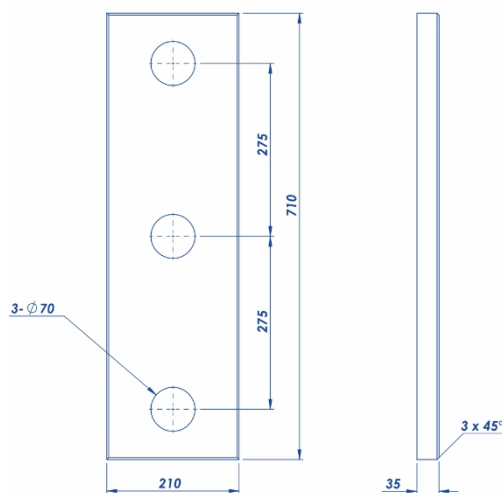
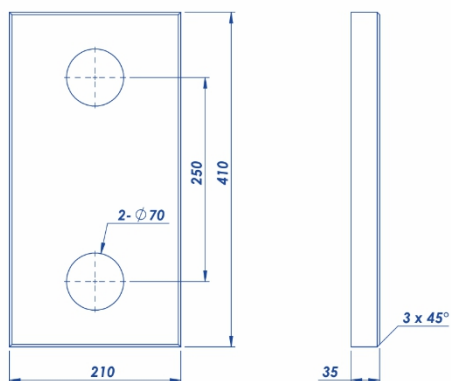
Sliding dock bumper front plates

Model	Color	Material	Length (mm)	Width (mm)	Height (mm)
SDBF4121	Yellow	UHMWPE	450	250	50
SDBF7121			750		



Dock bumper plates

Model	Color	Material	Length (mm)	Width (mm)	Height (mm)	Number of Fixing Holes
DBF4121	Yellow	UHMWPE	410	210	35	2
DBF7121			710			3



Trailer landing leg support/plate

Designed to protect loading bay floors where the trailer legs would normally sit.

